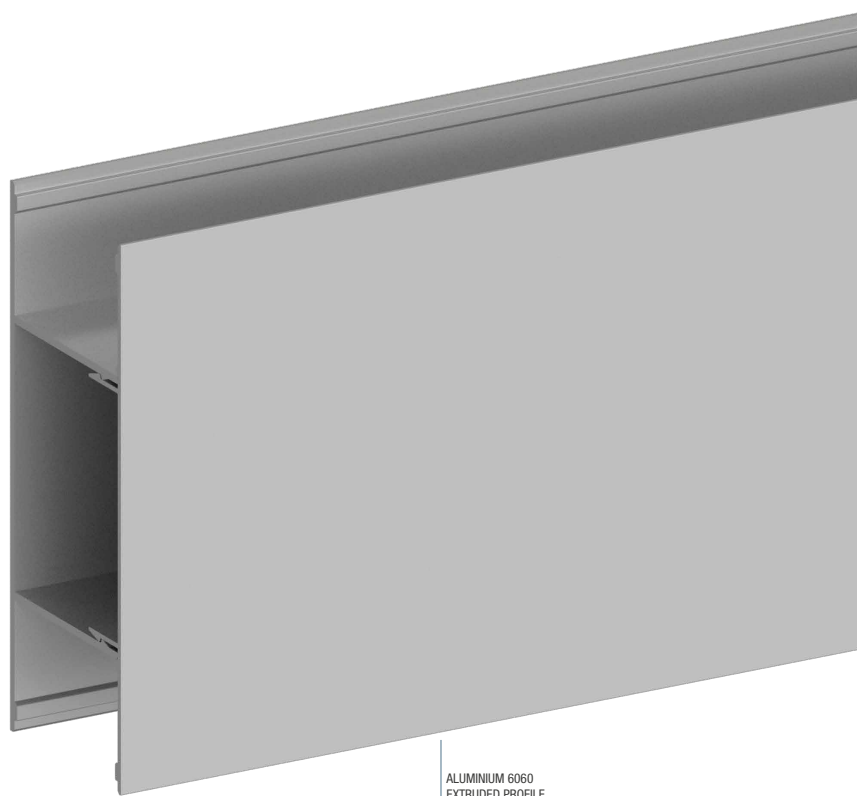
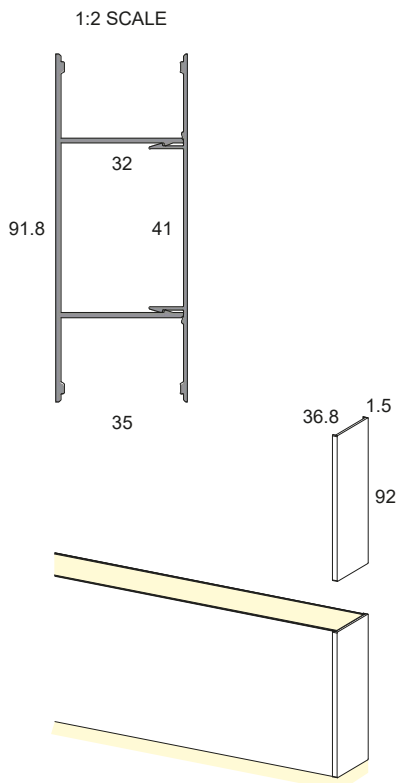
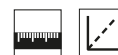


# KAPPA

Anodized 6060 aluminium extruded profile, designed and produced to be used in a wide variety of situations. Its size, shape and extreme ease of installation allow creating several types of sophisticated and prominent light sources. The accessories make the extruded profile even more versatile, by providing several installation options, such as suspension, vertical or horizontal wall lamp, or floor lamp. Ideal to house and dissipate LED Strips, including high-density models. The internal compartment can house the power supply unit.

■ ■ EXTRUDED IN ITALY





BASIC CODES

**PA.KAPPA.**

LENGTH

- 1 1000mm
- 2 2000mm
- 3 3000mm

FINISHES

- 1 Matt white RAL9003
- 2 Matt black RAL9005
- 7 Brushed aluminium

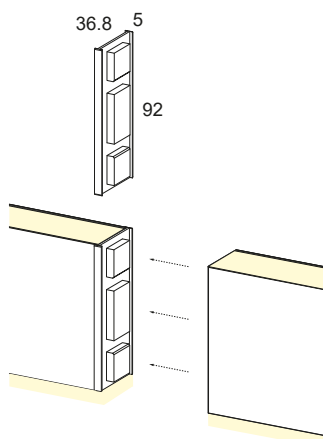
BASIC CODES

**SK01.**

FINISHES

- 1 White
- 2 Matt black
- 7 Brushed aluminium

Side aluminium closing support. Easy and quick to install, by exerting a slight side pressure.



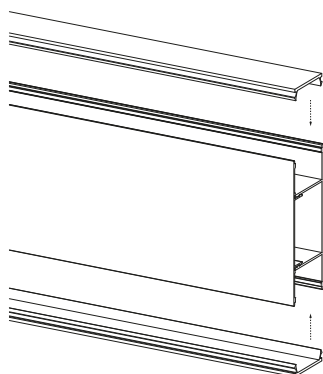
BASIC CODES

**SK.05.**

FINISHES

- 1 White
- 2 Matt black
- 7 Brushed aluminium

Side aluminium closing support for profile junction. Easy and quick to install, by exerting a slight side pressure.



BASIC CODES

**PA.PC30PE33.**

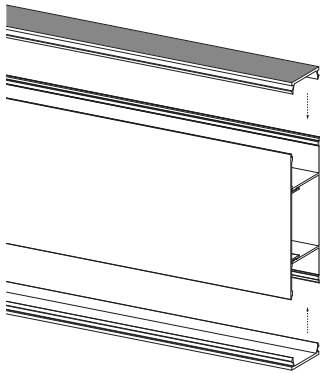
LENGTH

- 1 1000mm brushed
- 2 2000mm brushed
- 3 3000mm brushed

- 1M** 1000mm microprismatic
- 2M** 2000mm microprismatic
- 3M** 3000mm microprismatic

Brushed or microprismatic snap-on diffuser. The diffuser can be easily removed for maintenance operations.

Code example: KAPPA Profile + 1000mm Length + Brushed Aluminium Finish = Code: PA.KAPPA.17



BASIC CODES

**PA.2107.**

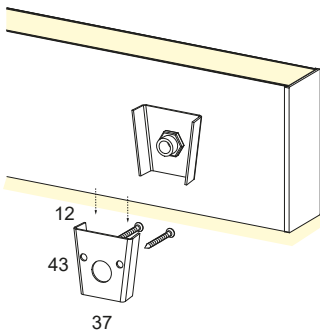
LENGTH

- 1 1000mm
- 2 2000mm
- 3 3000mm

FINISHES

- 1 Matt white RAL9003
- 2 Matt black RAL9005
- 7 Brushed aluminium

Snap-in aluminium cover. The cover can be used to create a lightless zone.



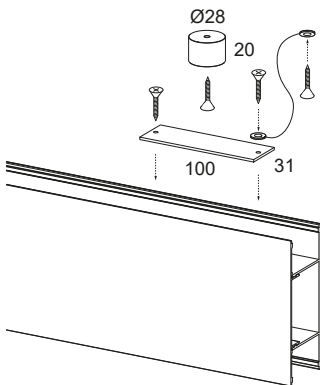
BASIC CODES

**SK.06.**

FINISHES

- 1 White
- 2 Matt black
- 5 Grey

Iron wall-mounting brackets. Easy to install with the plugs supplied.



BASIC CODES

**SK03.M**

Magnetic surface-mounted system, with accessories and safety rope.

NB. No. 1 magnet required every 800mm (Max. attraction force 5.20kg).

Code example: KAPPA Profile + 1000mm Length + Brushed Aluminium Finish = Code: PA.KAPPA.17